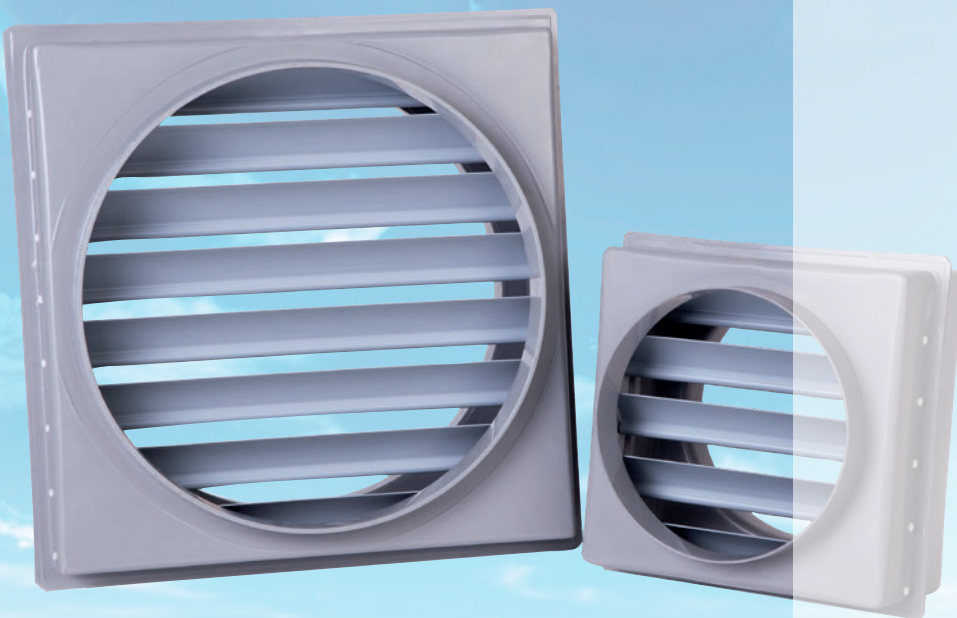


Automatic louver damper



Type
HF - JKS 1



Automatic louver damper with sleeve connection on both sides for HF - roof fans



Advantages

- Made of chemically resistant plastics
- Ideal for use in aggressive exhaust air
- Prevents heat losses and contamination of laboratory equipment at low cost

Application

- Use in conjunction with exhaust air fans in the laboratory to avoid undesirable air flows when the fan is at a standstill.

Conditions of use

- Max. air velocity should not exceed 10 m/s
- Operating temperature: 0 °C to + 40 °C
- Recommended inflow route:
1 x = connection diameter in order to prevent unfavourable flow velocities and associated pressure losses

Design

- Nominal connection sizes from 110 to 500 mm
- Installation position vertically in the line
- Standard connection with round sleeves for direct welding
- Blade area square
- Blades made of rigid PVC cavity-type profiles and with free-floating mounting in the housing
- Housing made as standard from PPs material, other materials optionally available

Specification

HF - louver damper

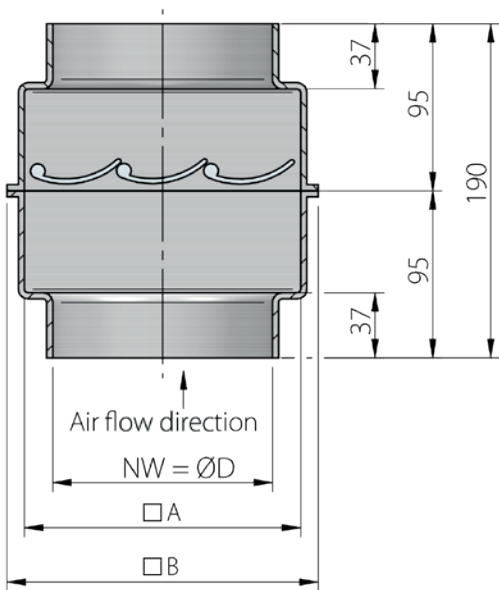
Automatic louver damper made of chemically resistant plastics, flap housing with square blade area and round sleeve connections for direct welding / bonding into the pipe, dimensionally stable blades made of PVC cavity-type profiles with free-floating mounting in the housing.

All components coming into contact with the exhaust air medium are made of chemically resistant plastics.

Brand	: Hürner Luft- und Umwelttechnik	
Type	: HF - JKS1	
Connection diameter	: ...	mm
Housing material	: PPs	
Blade material	: PVC	
Connection	: Sleeve connection	
Installation position	: vertical	



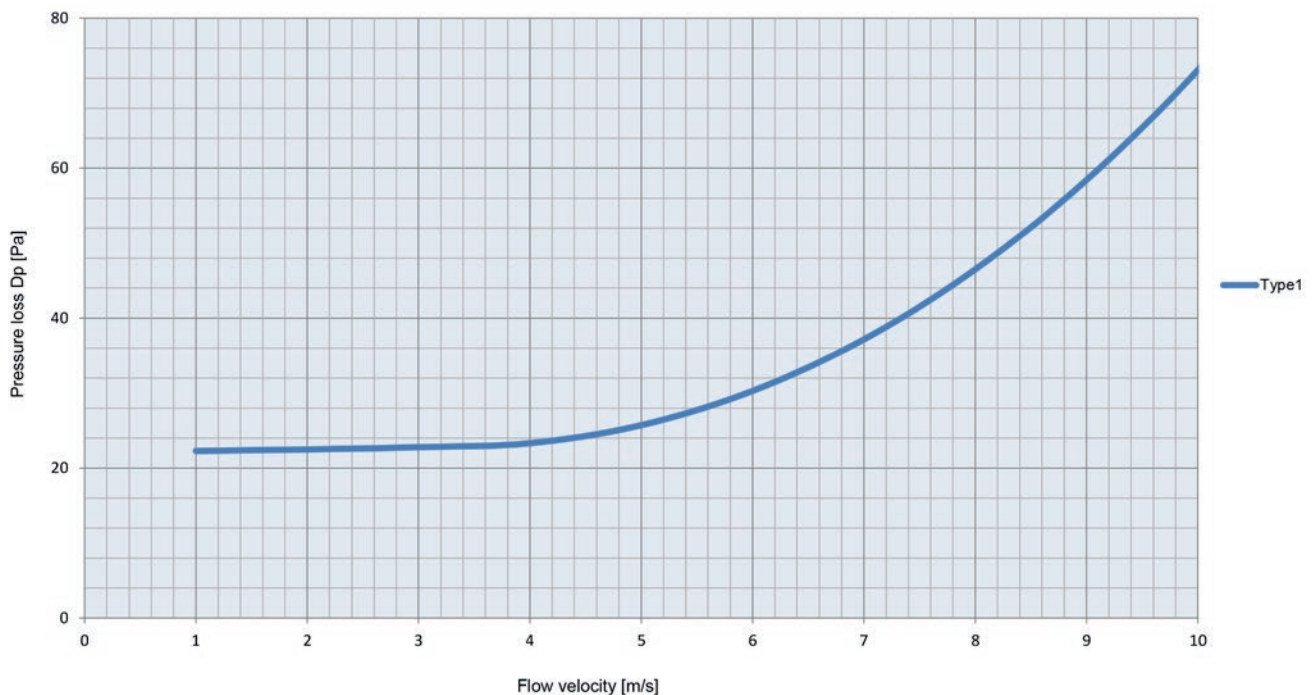
Automatic louver damper with sleeve connection on both sides for HF - roof fans



Size Ø	Dimension [mm]		PPs Housing
	□ A	B	Article no.
110	157	177	407-015-007000
160	207	227	407-015-010000
200	247	267	407-015-011000
250	250	270	407-015-012000
315	357	385	407-015-013000
355	405	435	407-015-014000
400	405	435	407-015-015000
500	560	590	407-015-016000

Other versions are optionally available.

Pressure loss characteristic





Hürner Luft- und Umwelttechnik

www.hlu.eu

Hürner Luft- und Umwelttechnik GmbH
Ernst-Hürner-Straße
35325 Mücke-Atzenhain
Germany

Tel. +49 6401 9180 - 0
Fax +49 6401 9180 - 142

info@hlu.eu

Sälzerstraße 20a
56235 Ransbach-Baumbach
Germany

Tel. +49 2623 92 95 9 - 0
Fax +49 2623 92 95 9 - 99

Edition 09-2019